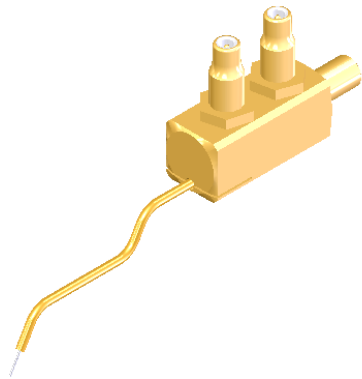
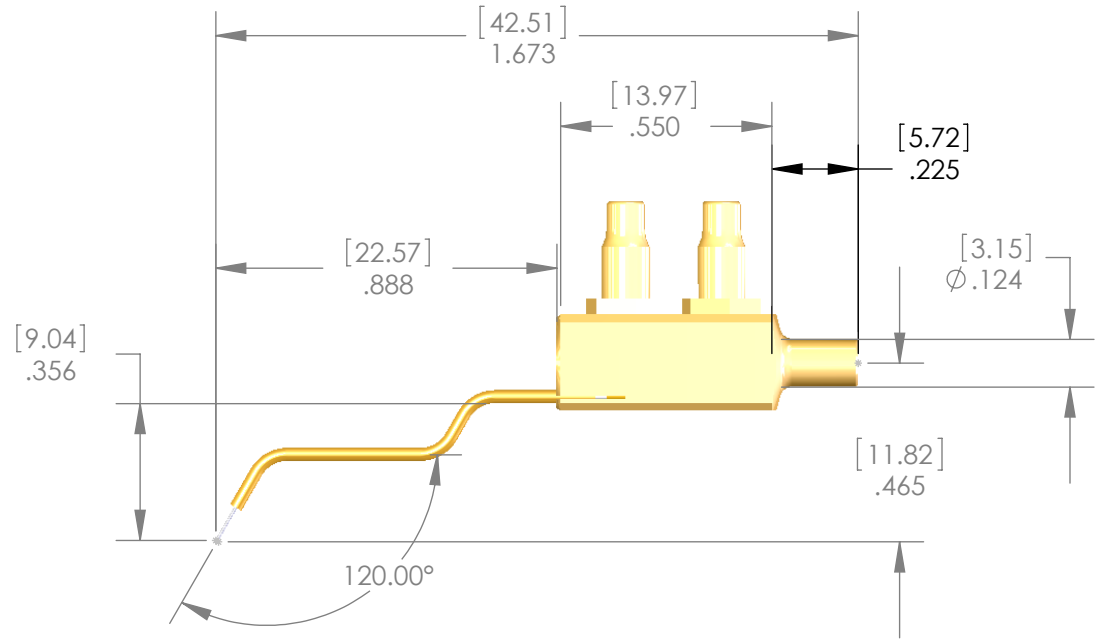
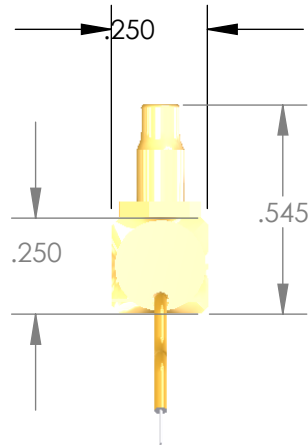


		REVISIONS			
ZONE	REV.	DESCRIPTION	DATE	APPROVED	



**PROPRIETARY AND CONFIDENTIAL**  
 THE INFORMATION CONTAINED IN THIS DRAWING IS THE SOLE PROPERTY OF American Probe & Technologies. ANY REPRODUCTION IN PART OR AS A WHOLE WITHOUT THE WRITTEN PERMISSION OF American Probe & Technologies IS PROHIBITED.

		UNLESS OTHERWISE SPECIFIED:		NAME	DATE	<b>TITLE:</b> 74CJ-APT-KS/125 Coaxial Probe Holder Shown with 73CT-APTA/125 Coaxial Probe
		DIMENSIONS ARE IN INCHES	DRAWN	KMC	2/10/03	
		TOLERANCES: FRACTIONAL ± ANGULAR: MACH ± BEND ±1 TWO PLACE DECIMAL ±.01 THREE PLACE DECIMAL ±.001	CHECKED			
		INTERPRET GEOMETRIC TOLERANCING PER:	ENG APPR.			
		MATERIAL Brass	MFG APPR.			<b>SIZE</b> DWG. NO. <b>REV</b> <b>A</b> 74CJ-APT-KS <b>R2</b>
NEXT ASSY	USED ON	FINISH Type 2 Gold	Q.A.			
APPLICATION		DO NOT SCALE DRAWING	COMMENTS:			SCALE: WEIGHT: SHEET 1 OF 1

5

4

3

2

1